



Cypress Lighting Technologies

1123 McKaskle Drive, Hammond, Louisiana 985-318-7112



LED Turtle Friendly Corn 60W

Models:

CL-60W-CL-T AC100-277V 600nm-605nm Amber Color

Product Features:

- ◇ IP64 rated, dustproof, insect proof
- ◇ No Fan design, internal driver, aluminum driver box, heat-conducting glue covered driver
- ◇ With IC temperature control inside, also no strob flash
- ◇ Can be used in fully sealed fixture
- ◇ Certificate: UL, cUL, CE, RoHS
- ◇ 50000 hours lifespan, 3 years warranty

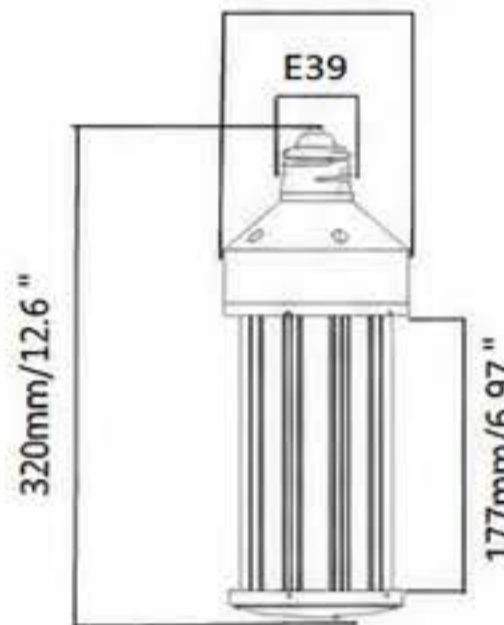


TECHNICAL SPECIFICATIONS

Model	CL-60W-CL-T
Rate Power	60W±5%
Input Voltage	AC100-277V 50/60Hz
Light Color	Amber Color
Wavelength	600nm-605nm
Power Factor	>0.9
Lumens	1050lm±5%
Lighting Source	LED SMD5730
Operating Temp.	-20~45°C
Mounting	E26/E27/E39/E40
Rated Life	Up to 50,000 Hrs.
LED LM80	Yes

DIMENSIONS

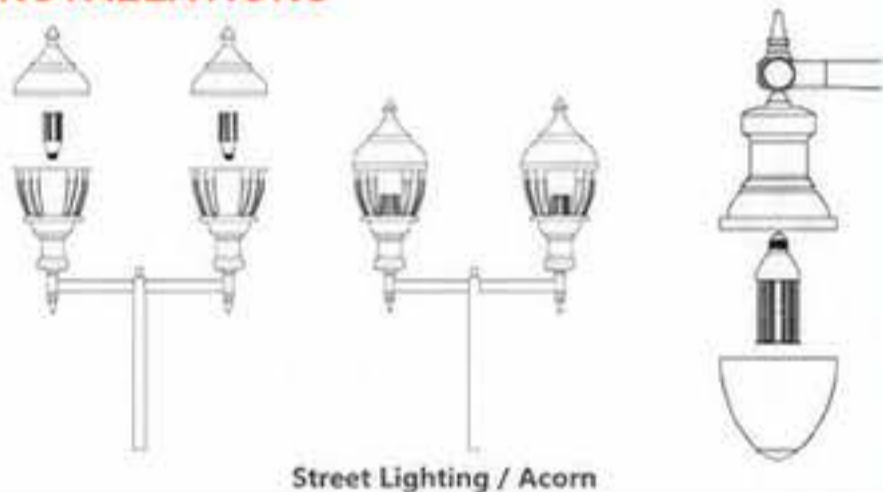
∅ 105mm/4.13 "



APPLICATIONS

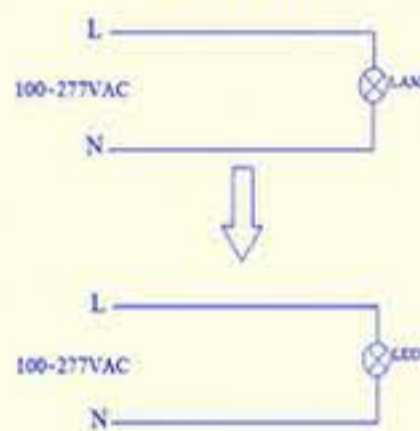


INSTALLATIONS

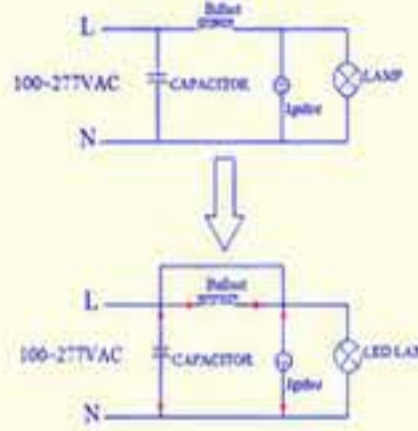


Street Lighting / Acorn

Rplace CFL

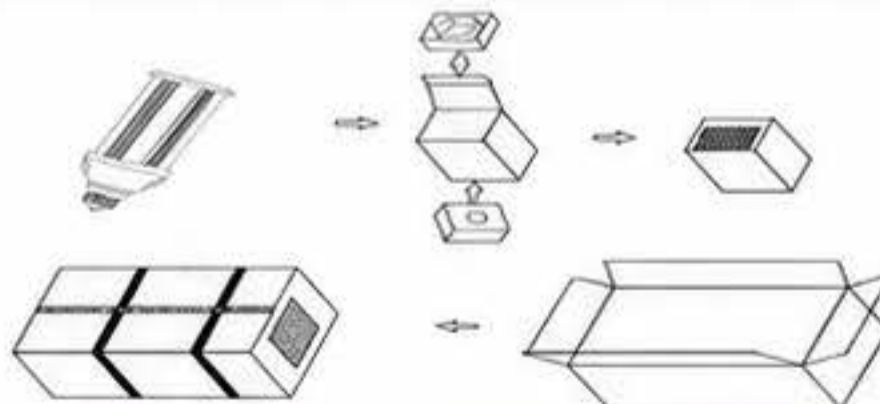


Rplace HID/HPS



PACKING DETAILS

Pack Quantity	8PCS
Net Weight Per CTN	2.65lbs/1200g
Gross Weight Per CTN	27.51lbs/12.48kg
Inner Box Size	14.4" x 5.7" x 5.9"
Master Carton Size	25.6" x 13.8" x 15.6"



WILDLIFE LIGHTING CERTIFICATION

Number: 2018-022



360° Illumination



For Enclosed Luminaires



Vibration and Shock Resistant



LM-80 Tested
ISTMT Tested



140 lpw
LM-79 Tested



Safe and Reliable



Environmentally Friendly